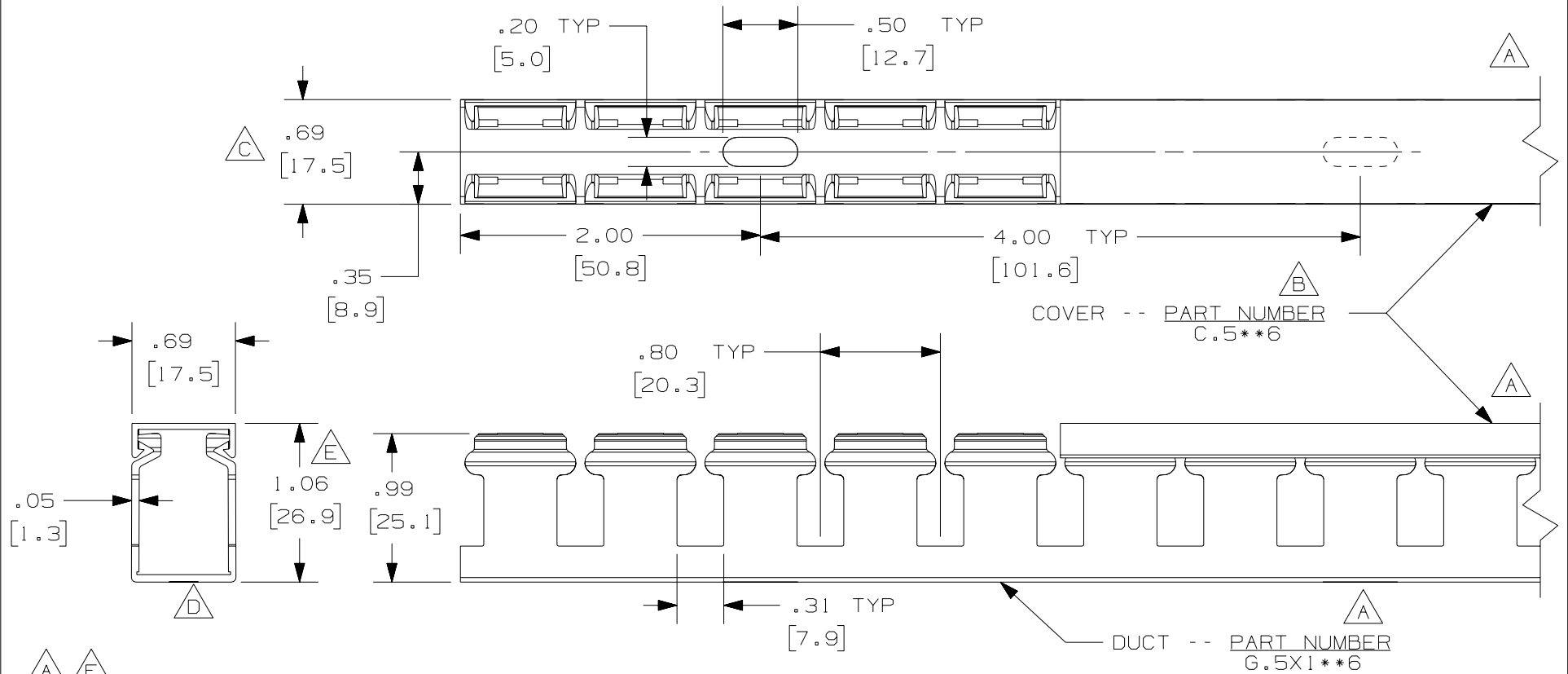


THIS COPY IS PROVIDED ON A RESTRICTED BASIS AND IS NOT TO BE USED IN ANY WAY DETRIMENTAL TO THE INTERESTS OF PANDUIT CORP.



△ △ F

NOTE.

1. ALL DIMENSIONS ARE REFERENCE ONLY.
2. DIMENSIONS IN PARENTHESES ARE METRIC.
3. THE ** DENOTE COLOR.
4. DUCT AND COVER ARE AVAILABLE IN 6 FT [1828.8] LENGTHS.

CAD FILENAME/LAYERS D11000PY_DC_00C

PANDUIT CORP. TINLEY PARK, ILLINOIS

WIRING DUCT - TYPE G DUCT WITH COVER
.5 X 1
MARKETING DRAWING

| REV | DATE | BY | CHK | DESCRIPTION |
|-----|---------|------|-----|---|
| 2 | 7/6/07 | JCSt | MKB | D. DELETED DIMENSION C. ADDED DIMENSION |
| 1 | 4/23/04 | JCSt | MKB | B. CHANGED VIEW A. ADDED TOP VIEW, LABELS, AND NOTES |
| R | 2/21/03 | JCSt | JGG | DRAWING RELEASED |

| | | |
|------------------|---------------|--------------------------|
| DRAWN BY JCSt | MAT'L; PVC | SCALE FULL |
| DATE 2/21/03 | | DRAWING NO. 36897-689 |
| CHK'D JGG | | DWG SIZE A |